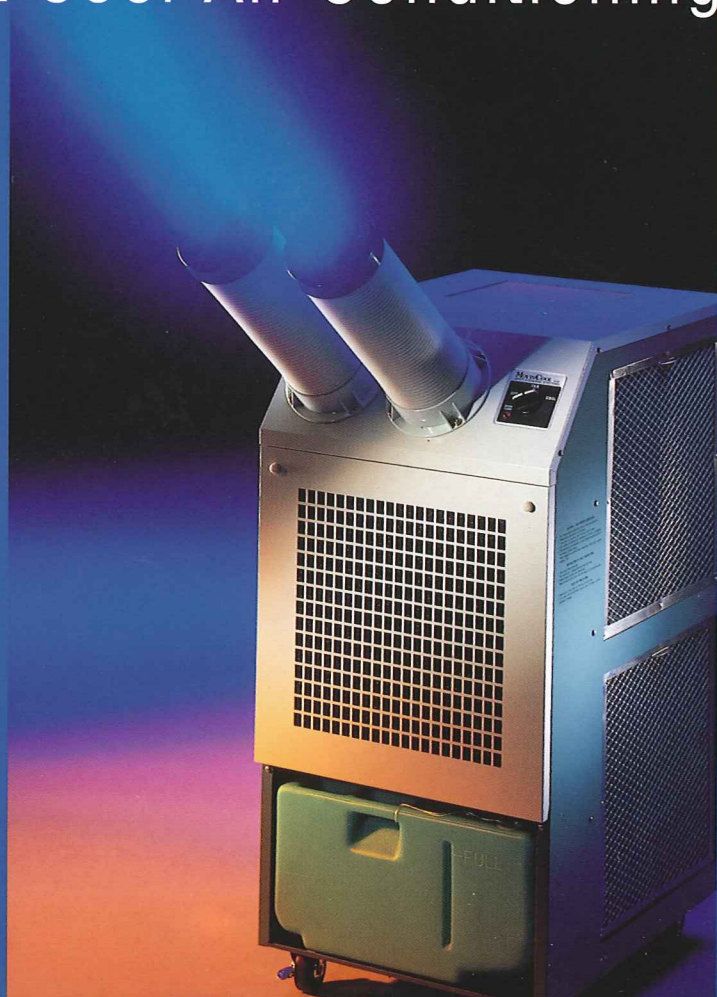


**DENSO**

# MOVINCOOL

Portable Spot Cool Air Conditioning



## Keeping Equipment Running At Peak Efficiency

Computers and telecommunications equipment are extremely critical to the operation of many businesses today. Because they generate a great deal of heat during operation, they are sensitive to high-heat environments and must be kept at even temperatures. To accomplish this, MovinCool is often used for supplementary cooling or it can also be the primary cooling system for smaller installations.

## Enabling Employees to do Their Best

MovinCool is a cost-effective way of focusing cool air on workers in order to keep morale and productivity high.

## Maintaining High Levels of Quality and Productivity in Manufacturing Processes

When cooling is an integral part of the manufacturing process, MovinCool can play a key role. Applications run the gamut from Plastic Molding to Quality Control Testing; from Food Processing to Glass Manufacturing; and from Telecommunications to Metalworking. Because it is portable, MovinCool is always ready in the event of an emergency or special need.

Our nationwide network of stocking distributors is trained and ready to demonstrate the benefits of spot cooling to your business.



## Shipping and Receiving

MovinCool plugs right in and begins cooling in minutes. No plumbing is needed.

Portable and flexible add-on extension ducts allow MovinCool to be quickly moved to the hottest warehouse locations.

MovinCool is designed to maximize productivity, especially in the high ambient temperatures found in industrial environments.

## Telecommunications

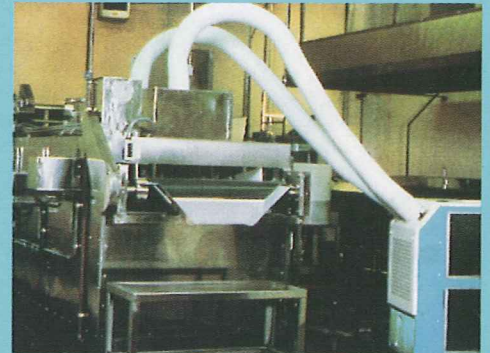
MovinCool units help protect millions of dollars in state-of-the-art telephone switches during routine maintenance shut-down of central air conditioning systems. They are also inexpensive insurance in the event of an emergency overload or shutdown of the central system.





## Factories

Spot Cool can be mounted in a stationary position or suspended from the ceiling where it is activated by a remote-control switch. It can be made portable with an optional wagon kit.



## Aircraft Servicing

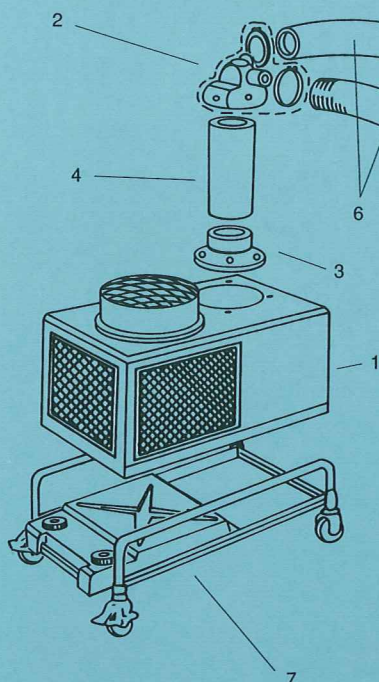
MovinCool is an economical and energy-efficient way to quickly improve productivity of maintenance workers, crew or mechanics.



When heat is part of the production process, such as with food processing, packaging and plastics, MovinCool shortens cool-down periods and improves cycle times.

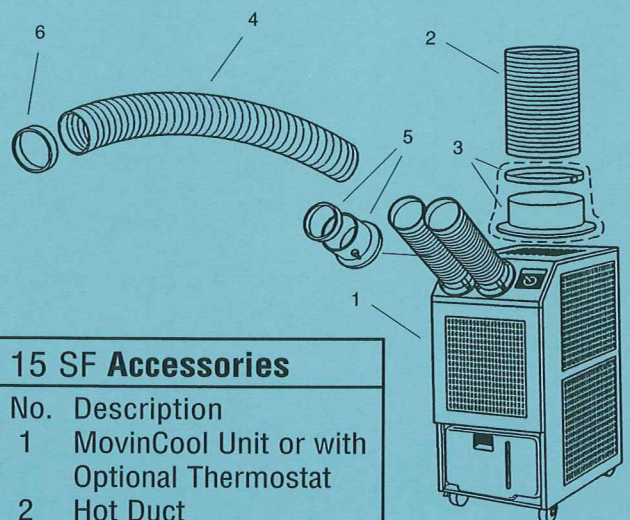
MovinCool cools only the area that needs to be cooled, not the entire room or plant. Units are easily located exactly where they are needed to boost productivity while holding down costs.

More and more companies are learning that evaporative coolers add humidity to the working environment. MovinCool, on the other hand, removes moisture from the air and economically delivers refrigerated air directly to workers to quickly increase productivity.



### 30 H Accessories

No.	Description
1	MovinCool Unit
2	2 Port Chamber or
3	Port Chamber
3	Pipe Flange
4	Cold Duct Ext. Pipe
5	Cold Duct Trim
6	2m Cold Duct
7	Wagon Kit

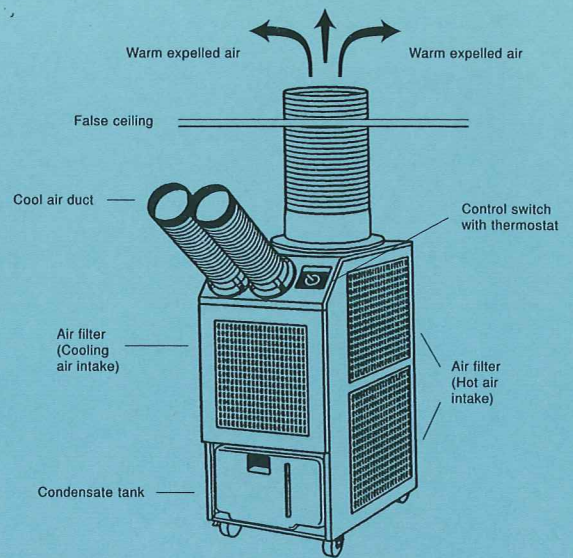


### 15 SF Accessories

No.	Description
1	MovinCool Unit or with
	Optional Thermostat
2	Hot Duct
3	Flange & Clamp
4	2m Cold Duct
5	Flange & Clamp
6	Trim

## Specifications

Cooling Unit	Cooling capability	4.5kW/ 3830 cal/h
	Cooling system	Direct expansion
	Humidity removal (35°C/60%RH)	1.18 l/h
Features	Power frequency	50 Hz
	Line voltage	220/240 V single phase
	Power consumption	1.6/1.7 kW
	Current consumption	8.2 A
	Power factor	86%
	Starting current	32 A
	Power wiring	1.5 mm <sup>2</sup> (4-core)
Blower	Type of fan	Sirocco fan
	Air volume	800m <sup>3</sup> /hour
	Motor output	0.35kW
Compressor	Type	Hermetically sealed rotary type
	Output	1.1 kW
	Refrigerant	R-22
	Packed amount of refrigerant	0.68 kg/1.50 lbs
Unit dimensions	Width	490 mm/19.3 in
	Depth	650 mm/26.4 in
	Height	1045 mm/41.1 in
Weight		76 kg/167 lbs
Rating condition	Temperature DB	35°C/95°F
	Temperature WB	28.2°C/83°F
	Humidity	60%
Operating condition	Temperature	45°C/113°F
	Humidity	50% or lower
Safety devices	Compressor overload relay • Fan motor protector • Drain switch • Anti frost-thermostat	
Noise level		64 db

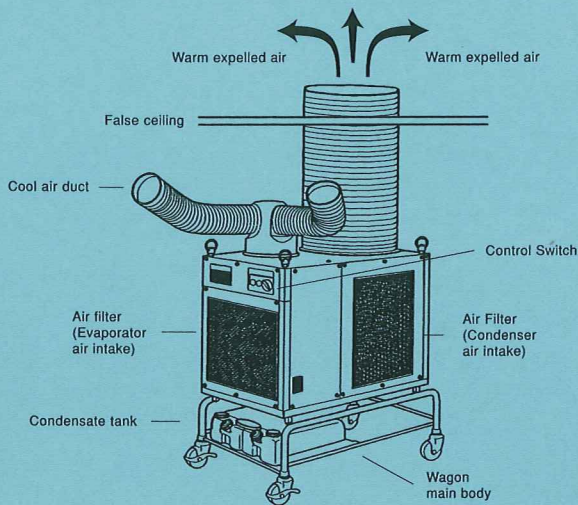


### 15SF

- 4.5 kW cooling power from a standard 10 amp power supply.
- Twin flexible cold air outlet ducts.
- Durable, reliable and transportable.
- Low maintenance requirement (filter cleaning only).
- Additional 2m cold duct extensions available

### 30H

- A massive 10 kW cooling power from a 3-phase supply - the ultimate cooling machine.
- Suitable for fixed station operation or with an optional wagon kit, as a portable air conditioner.
- Can be installed on ceilings.
- Capable of multi-zone cooling.
- Minimum maintenance requirements (filter cleaning only).
- Additional ducting available.



Cooling Unit	Cooling capability	10kW/ 8570 cal/h
	Cooling system	Direct expansion
	Humidity removal (35°C/60%RH)	5.27 l/h
Features	Power frequency	50 Hz
	Line voltage	380/415 V three phase
	Power consumption	3.8 kW
	Current consumption	6.6 A
	Power factor	83%
	Starting current	42 A
Blower	Type of fan	Sirocco fan
	Air volume	1500m <sup>3</sup> /hour/880ft <sup>3</sup> /min
	Motor output	0.75kW
Compressor	Type	Hermetically sealed reciprocating
	Output	2.20 kW
	Refrigerant	R-22
	Packed amount of refrigerant	1.85 kg/4.1 lbs
Unit dimensions	Width	1100 mm/43.33 in
	Depth	650 mm/25.6 in
	Height	985 mm/38.3 in
Weight		160 kg/353 lbs
Rating condition	Temperature DB	35°C/95°F
	Temperature WB	28.2°C/83°F
	Humidity	60%
Operating condition	Temperature	45°C/113°F
	Humidity	50% or lower
Safety devices	Overcurrent relays (for compressor evaporative fan motor and condenser fan motor) • Compressor overload relay • Fan motor protectors (for evaporative and condenser fans) • High pressure switch • Anti-frost thermostat	
Noise level		71 db

Further information about MovinCool may be obtained by calling  
**Denso International Australia Pty Ltd**  
 Ph: (03) 9279 2900 Fax: (03) 9279 2902